

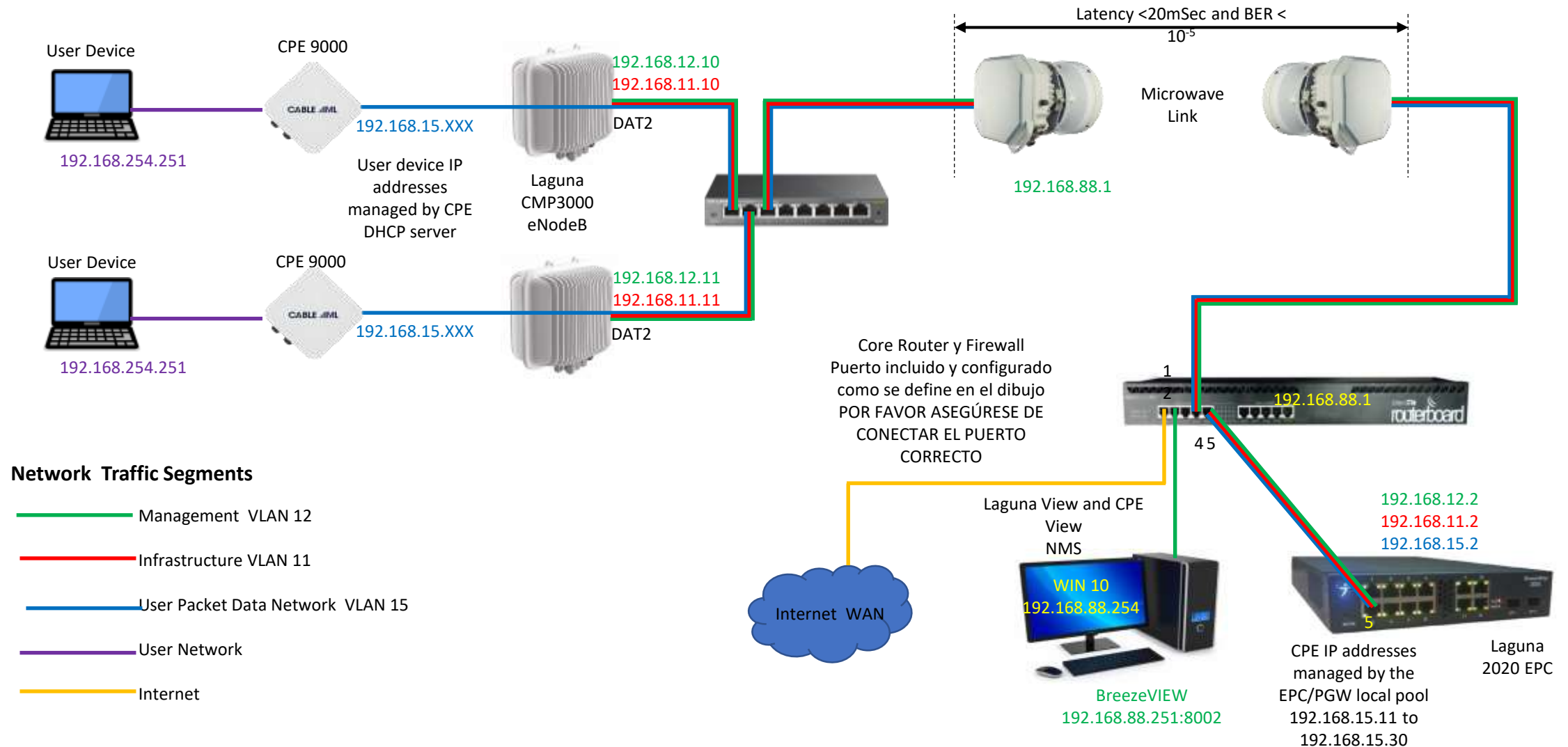


CABLE AML

World leader in Broadband Microwave Links

Laguna LTE Trial System Configuration

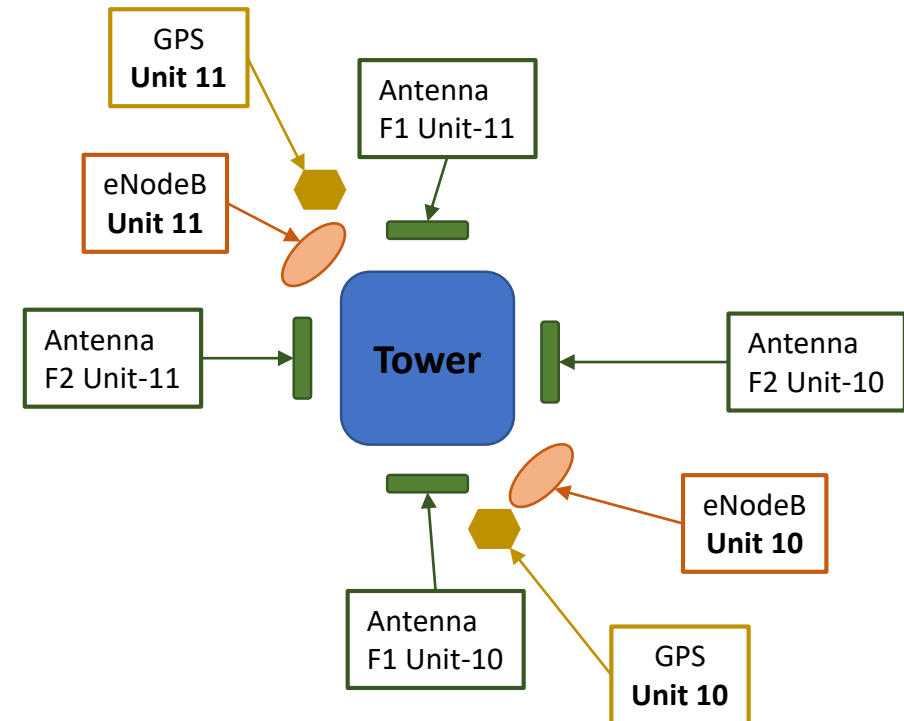
Plano general de conexión de red que incluye la identificación de VLAN para el sistema



¿Montaje de antena y estación base en la torre? Vista superior de la torre

Nota:-

1. Kit de montaje de antena y estación base (eNodeB) incluido
2. Cable de RF (3 pies) para conectar la antena a la estación base
3. No se incluyen los postes montados en las torres (dependiendo de la instalación).
4. El cable de Ethernet NO ESTÁ PROPORCIONADO, USE CAT-6
5. Una buena práctica para instalar protección de aligeramiento de ethernet cuando se pasa de interior a exterior.
6. F1 = 2510 MHz
7. F2 = 2640 MHz



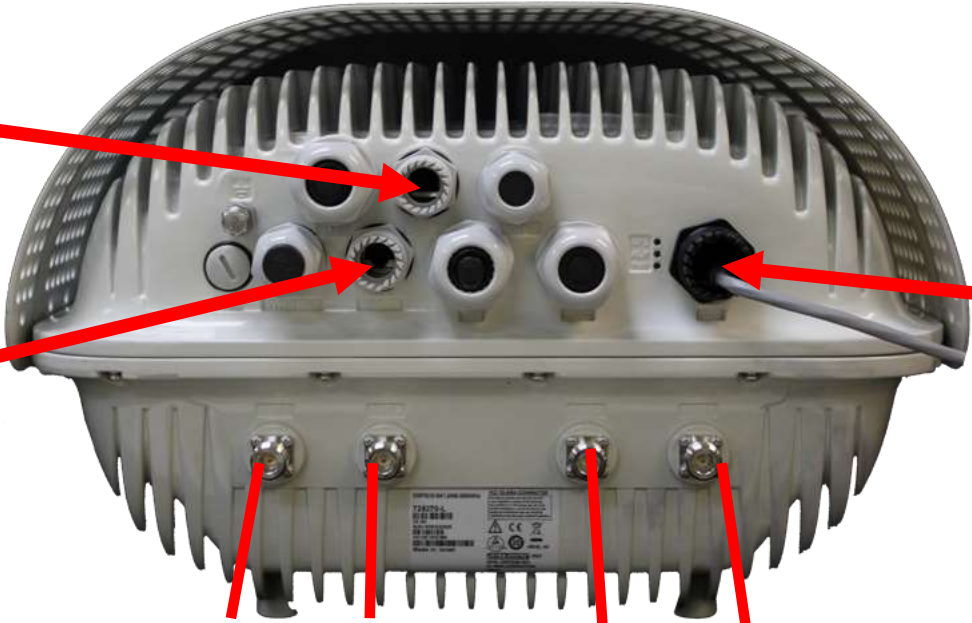
Conexión de energía y Ethernet eNodeB

DAT-2
Ethernet connection
To Switch

GPS
Ethernet connection

PWR
Power Supply Cable

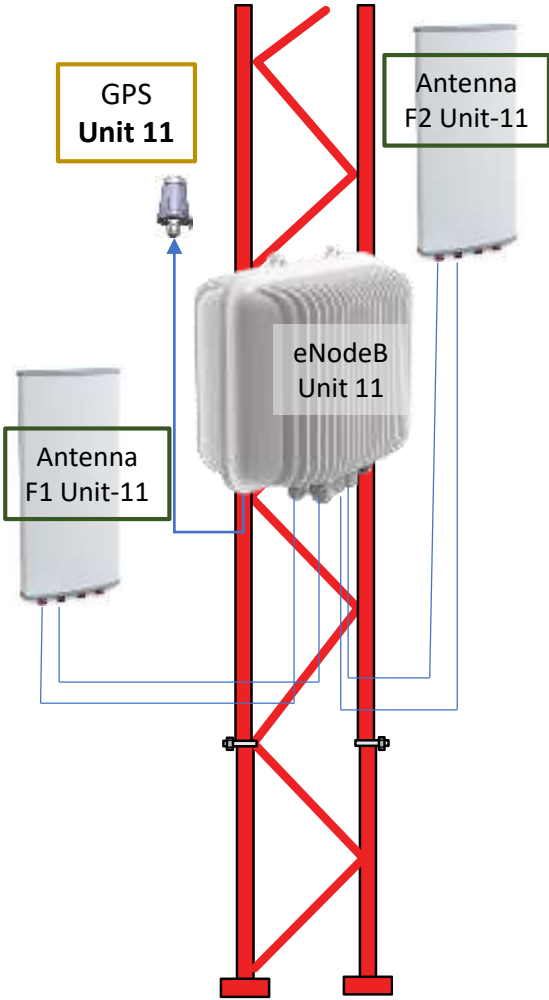
ANT-1 ANT-2 ANT-3 ANT-4
RF Cables to Antenna



Base Station Unit –11 RF Connection

Antenna F	eNodeB (Base Station)	Antenna Port
F1- Unit-11 RF Cable	ANT-1	F1 - Port 1 +45
F1- Unit-11 RF Cable	ANT-2	F1 - Port 2 -45
F2- Unit-11 RF Cable	ANT-3	F2 - Port 1 +45
F2- Unit-11 RF Cable	ANT-4	F2 - Port 2 -45

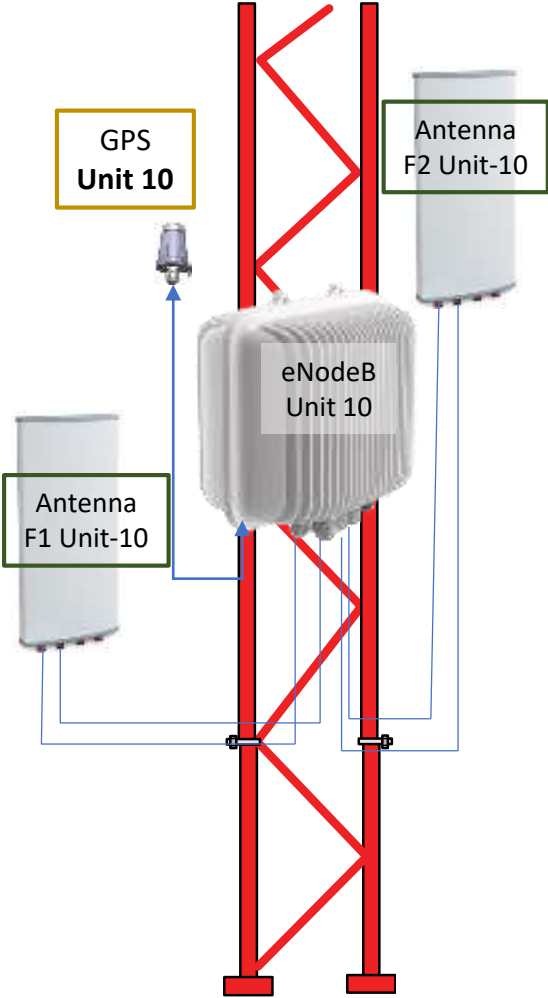
	eNodeB (Base Station)	GPS UNIT
CAT-6 Ethernet NOT PROVIDED	GPS IN	RJ-45 PORT (only 1 port)



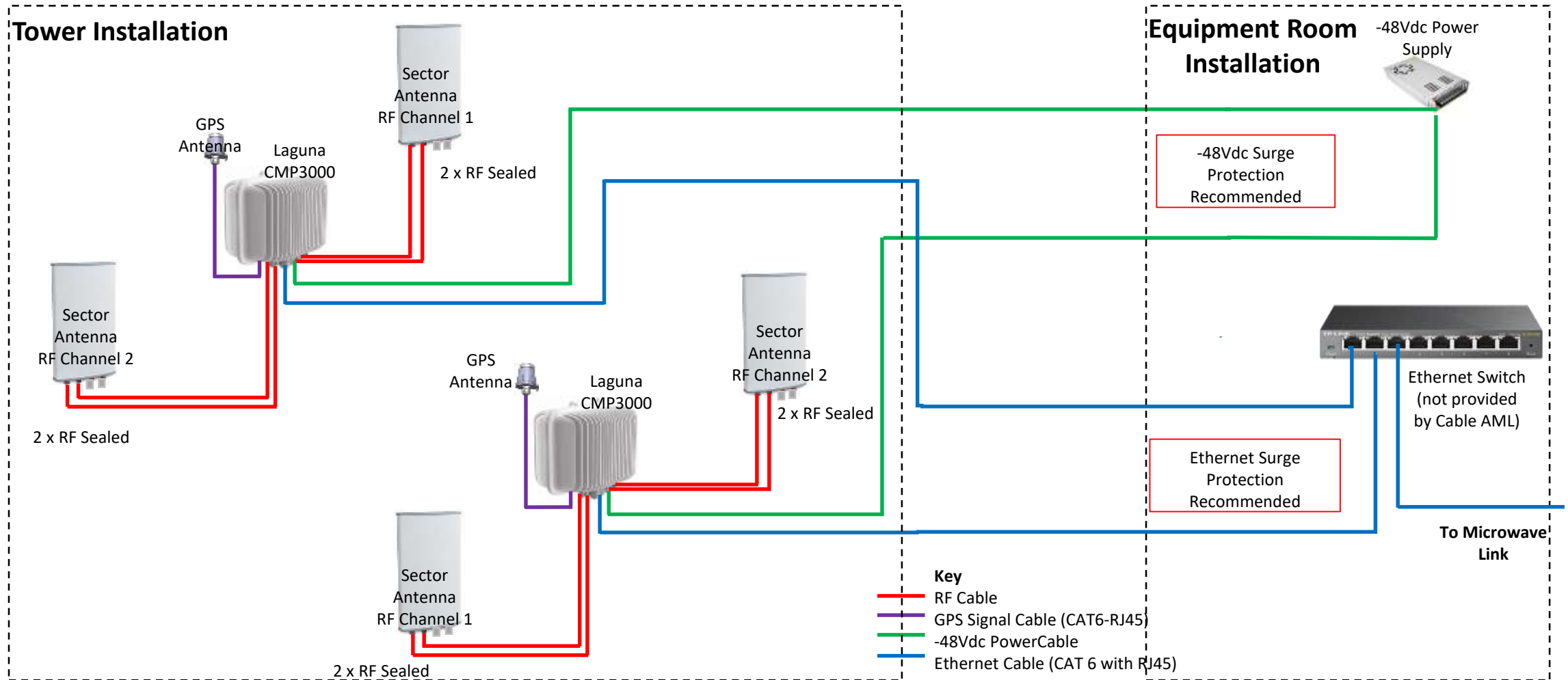
Base Station Unit –10 RF Connection

Antenna F	eNodeB (Base Station)	Antenna Port
F1- Unit-10 RF Cable	ANT-1	F1 - Port 1 +45
F1- Unit-10 RF Cable	ANT-2	F1 - Port 2 -45
F2- Unit-10 RF Cable	ANT-3	F2 - Port 1 +45
F2- Unit-10 RF Cable	ANT-4	F2 - Port 2 -45

	eNodeB (Base Station)	GPS UNIT
CAT-6 Ethernet NOT PROVIDED	GPS IN	RJ-45 PORT (only 1 port)

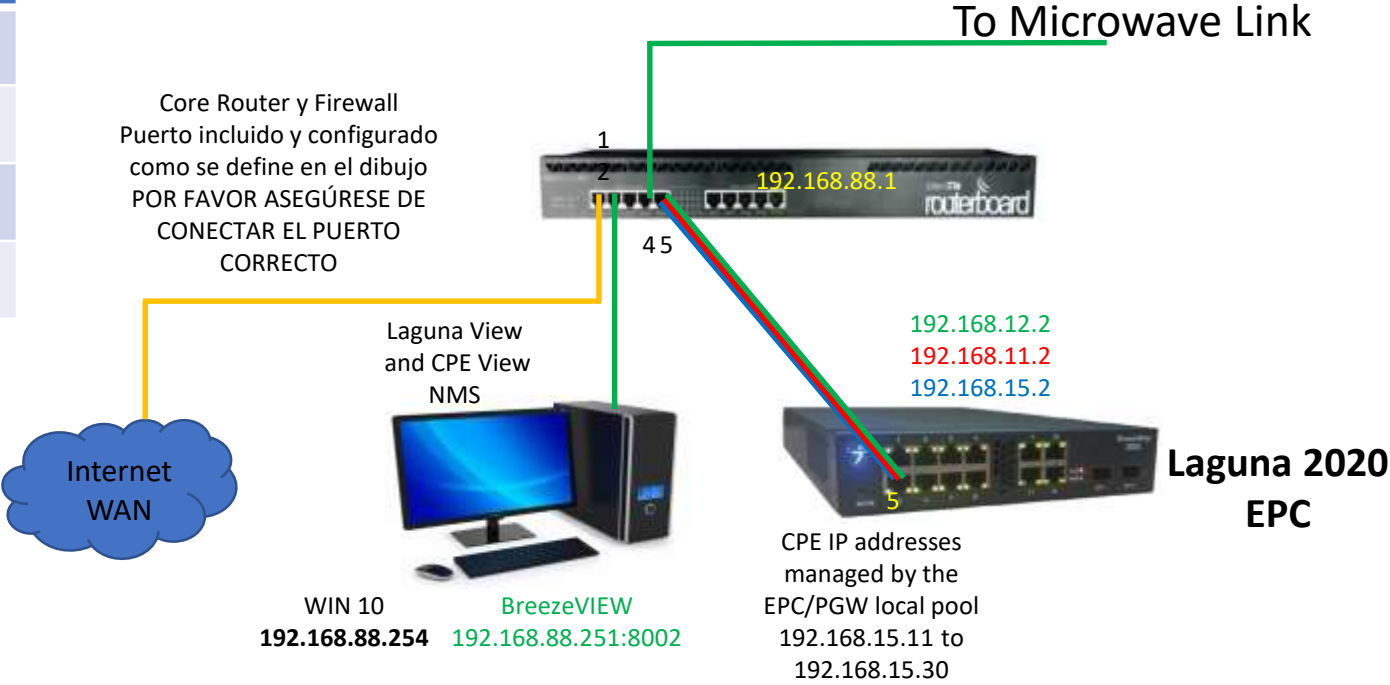


4 Sector Laguna LTE Base Station Installation



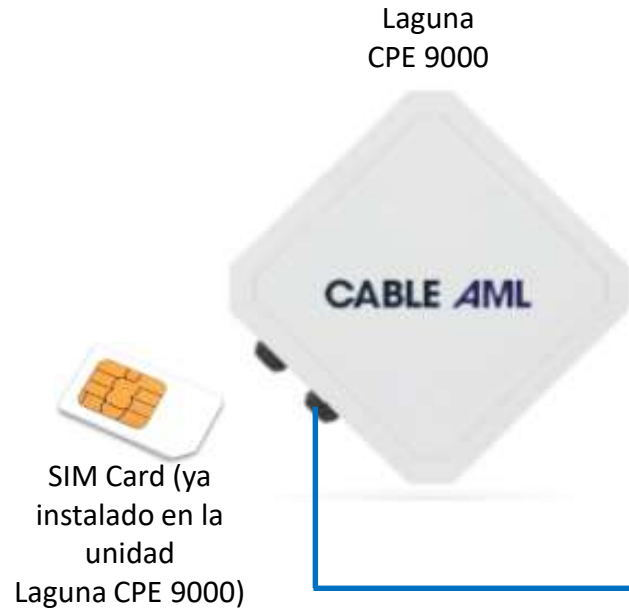
Headend EPC, Router and WAN Connection

PORT Number	Router connection Setup Ensure using CAT6 Cable and Connectors
1	WAN
2	PC
4	Microwave Link
5	EPC to port 5 of EPC

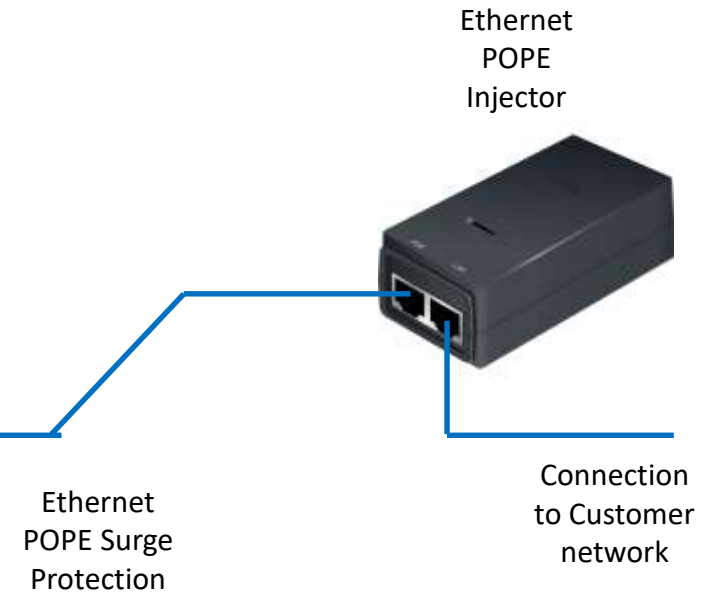


Laguna LTE CPE Installation

Roof Top Installation



In Building Installation



Key
— Ethernet Cable

Trial Deployment Device Addresses



Property		Device					
		EPC	eNodeB Unit 10	eNodeB Unit 11	Core Router	NMS	CPE
NMS Device Name		TV-ZAC-EPC	TV-ZAC-LTE 1	TV-ZAC-LTE 2			
NMS Device ID		2	10	11			
Management	IP Address	192.168.12.2	192.168.12.10	192.168.12.11	192.168.88.1	192.168.88.251	
	Subnet Mask	255.255.255.0	255.255.255.0	255.255.255.0			
	Default Gateway	192.168.12.1	192.168.12.1	192.168.12.1			
	VLAN ID	12	12	12			
Infrastructure	IP Address	192.168.11.2	192.168.11.10	192.168.11.11			
	Subnet Mask	255.255.255.0	255.255.255.0	255.255.255.0			
	Default Gateway	192.168.11.1	192.168.11.1	192.168.11.1			
	VLAN ID	11	11	11			
User	IP Address	192.168.15.2					192.168.254.251
	Subnet Mask	255.255.255.0					255.255.255.0
	Default Gateway	192.168.15.1					
	VLAN ID	15					
NTP Server	IP Address	192.168.88.251	192.168.88.251	192.168.88.251			

Trial Deployment Device Addresses



Property		Device					
		EPC	eNodeB Unit 10	eNodeB Unit 11	Core Router	NMS	CPE
NMS Device Name		TV-ZAC-EPC	TV-ZAC-LTE 1	TV-ZAC-LTE 2			
NMS Device ID		2	10	11			
Management	IP Address	192.168.12.2	192.168.12.10	192.168.12.11	192.168.88.1	192.168.88.251	
	Subnet Mask	255.255.255.0	255.255.255.0	255.255.255.0			
	Default Gateway	192.168.12.1	192.168.12.1	192.168.12.1			
	VLAN ID	12	12	12			
Infrastructure	IP Address	192.168.11.2	192.168.11.10	192.168.11.11			
	Subnet Mask	255.255.255.0	255.255.255.0	255.255.255.0			
	Default Gateway	192.168.11.1	192.168.11.1	192.168.11.1			
	VLAN ID	11	11	11			
User	IP Address	192.168.15.2					192.168.254.251
	Subnet Mask	255.255.255.0					255.255.255.0
	Default Gateway	192.168.15.1					
	VLAN ID	15					
NTP Server	IP Address	192.168.88.251	192.168.88.251	192.168.88.251			